

1 OVERALL IRRIGATION PLAN
1"=20'-0"

IRRIGATION DESIGN REQUIREMENTS:

PRESSURE:
Static PSI: 70 PSI
Design PSI: 42.22 PSI

PRESSURE LOSS CALCULATIONS:

GPM/ZONE:	2
Service:	1" 0.37
Meter:	1" 0.55
Backflow Preventer:	1" 12.0
Master Control Valve:	1 1/2" 1.0
Elevation Loss:	+1 0.433
Mainline:	1 1/2" 1.6
Remote Control Valve:	1" 1.7
Head PSI:	20
TOTAL LOSSES:	37.22

CONFORMITY LETTER:

I, Leticia Zavala, a licensed irrigator in the State of Texas do certify that the irrigation plan submitted conforms to the irrigation design and equipment standards set out in 95-51(c)(1) and 95-51(c)(6) of the City of San Antonio Unified Development Code and also complies with the requirements of Chapter 344, 344.12 - 344.17 of the Texas Administrative Code.

By, *Leticia Zavala*

Licensed Irrigator's Number: #8650

VALVE SCHEDULE

DRIP DRIP ASSEMBLY ZONE 2

STATION NO.	SIZE	GPM	*PRECIP. RATE	**SCHEDULE MIN. per DAY/WK
1	1"	5.19	.28	12 min./3 days
2	1"	6.89	.28	12 min./3 days
3	1"	2.07	.28	12 min./3 days
4	1"	5.93	.28	12 min./3 days
5	1"	4.75	.28	12 min./3 days
6	1"	1.98	.28	12 min./3 days
7	1"	3.34	.28	12 min./3 days
8	1"	6.84	.28	12 min./3 days

*REQUIRED PRECIPITATION RATE = 2.75"/HOUR
**WATER SCHEDULE REQUIRED TO PROVIDE 1"/WEEK

C•F•Z Group LLC
Collins • Fernandez • Zavala
Landscape Architecture
& Planning
7410 John Smith Dr., Suite 208
San Antonio, Texas 78229
210-366-1911/210-366-0044 fax

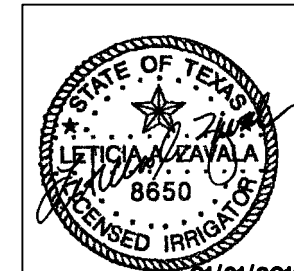
No.	Revision	Drawn	Approved	Date
2	ADDENDUM 3	SDT	ABFJR	2/11/16
1	ADDENDUM 2	SDT	ABFJR	2/09/16

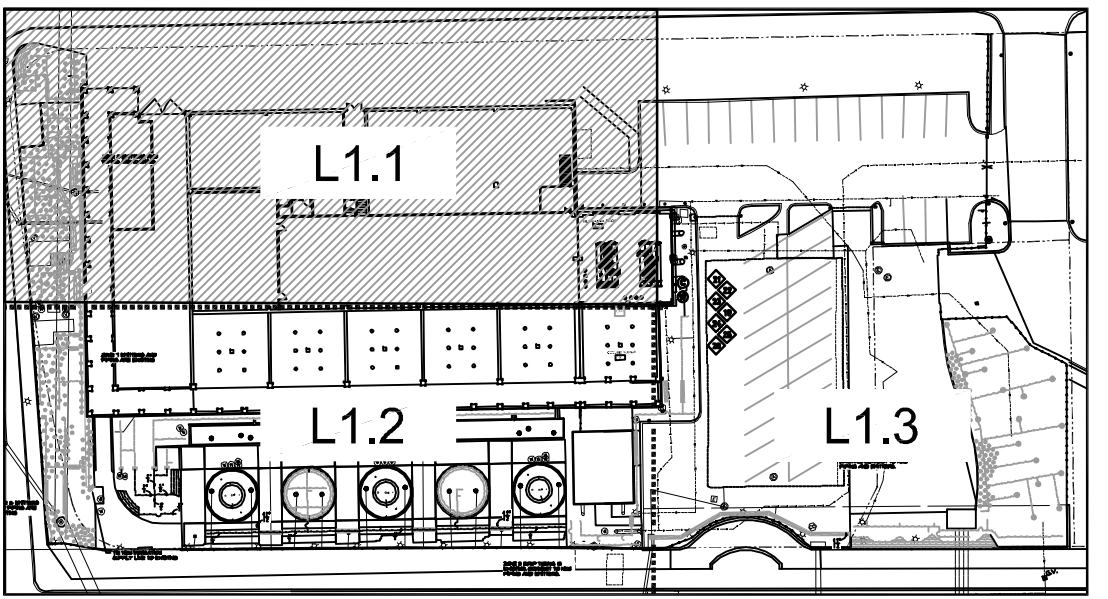
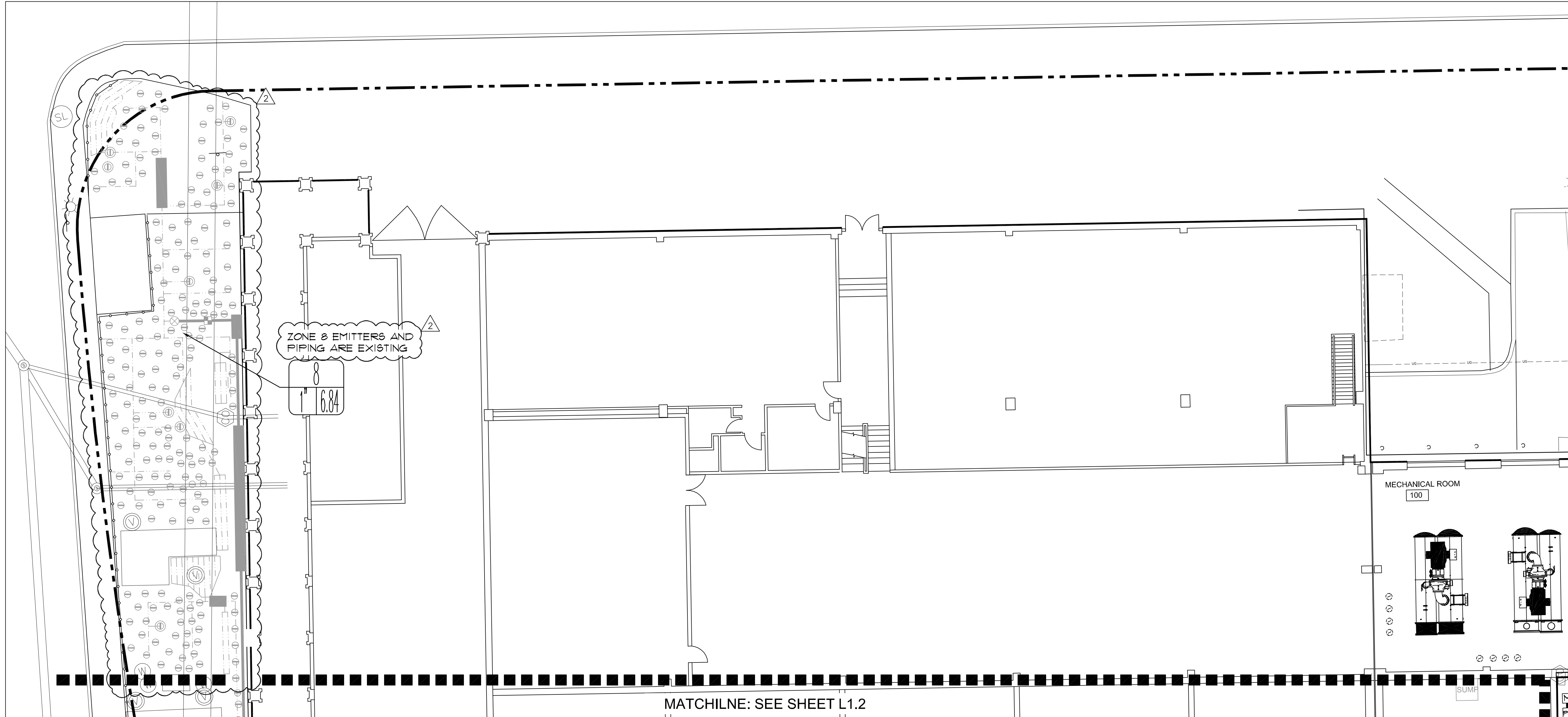
REVISIONS
CHILLED WATER PLANT IMPROVEMENTS
PHASE II - ADDENDUM #3
IRRIGATION PLAN

DEVELOPER: _____
CONT. [BUDGET PROJ.]

SUBMITTED _____
APPROVED _____

MAP No. _____ SHEET
SECT. No. _____ L10





KEY MAP
(NOT TO SCALE)

1 ENLARGED IRRIGATION PLAN
1"=10'-0"

- LEGEND**
- ⊕ TREE DRIP BUBBLER ASSEMBLY, SEE DTL. 9/L2.2
 - ⊖ DRIP EMITTER, SEE DTL. 3/L2.2
 - ⊗ DRIP REMOTE CONTROL VALVE, SEE DTL. 2/L2.2
 - ⊕ MASTER CONTROL VALVE, SEE DTL. 7/L2.1
 - ⊗ MANUAL VALVE, SEE DTL. 2/L2.1
 - ⊕ QUICK COUPLER, SEE DTL. 8/L2.1
 - LATERAL PIPING, SEE DTL. 9/L2.1
 - DRIP LINE, SEE DTL. 9/L2.1
 - SUPPLY LINE, SEE DTL. 9/L2.1
 - IRRIGATION SLEEVE, SEE DTL. 10/L2.2
 - BED EDGER, SEE SHEET L5.1
- 17 VALVE DESIGNATION
147/28.6 GALLONS PER MINUTE
VALVE SIZE
- ⊕ EXISTING TREE DRIP BUBBLER ASSEMBLY
 - ⊖ EXISTING DRIP EMITTER
 - ⊗ EXISTING DRIP REMOTE CONTROL VALVE
 - ⊕ EXISTING MASTER CONTROL VALVE
 - ⊗ EXISTING MANUAL VALVE
 - ⊕ EXISTING QUICK COUPLER
 - EXISTING LATERAL PIPING
 - EXISTING DRIP LINE
 - EXISTING SUPPLY LINE

IRRIGATION NOTES (Keyed Note)

1. Irrigation contractor shall be responsible for making himself familiar with the specifications and all submittal requirements. It is the responsibility of the Irrigation contractor to notify the Landscape Architect for site inspections as specified in the specifications. Failure to notify the Landscape Architect does not relieve the contractor from inspection approval and will require the contractor to uncover work as required for approval at the cost of the contractor. Irrigation contractor is to inform Landscape Architect of the start date of work.
2. The Irrigation contractor is required by law to notify Texas One Call (800-245-4545) and (800) DIG TESS (800-344-8377) 72 hours prior to any excavation. Irrigation contractor shall be responsible for making himself familiar with all underground utilities, pipes and structures. Irrigation contractor shall take sole responsibility for any cost incurred due to damage of said utilities whether or not Texas One Call is notified.
3. Do not willfully proceed with construction as designed without verifying actual on-site water pressure from the source. Do not willfully proceed with construction as designed when it is obvious that unknown obstructions and/or grade differences exist that may not have been known during design. Such conditions shall be immediately brought to the attention of the Landscape Architect or Owner's Representative. The Irrigation contractor shall assume full responsibility for all necessary revisions due to failure to give such notification.
4. Irrigation contractor shall be responsible for any coordination with other contractors as required to accomplish irrigation installation.
5. Due to scale of drawings, it is not possible to indicate all offsets, fittings sleeves, etc., which may be required. Irrigation contractor shall carefully investigate the structural and finished conditions affecting all of his work and plan his work accordingly, furnishing such fittings, etc., as may be required to meet such conditions. Drawings are generally diagrammatic and indicative of the work to be installed. The work shall be installed in such a manner as to avoid conflicts between irrigation system, planting and architectural features. This design is diagrammatic. All piping, valves, etc., shown within paved areas is for design clarification only and shall be installed in planting areas and within property lines.
6. It is the Irrigation contractor's responsibility to coordinate piping with the landscape subcontractor to avoid conflict with planting beds. It will be the responsibility of the Irrigation subcontractor to move piping to allow proper placement of plant material.
7. Irrigation contractor shall be responsible for sleeves and chases wherever piping or conduit passes, under all paving, through walls, etc. All sleeve locations may not be shown on plan, coordinate with architectural and civil drawings, general contractor and other subcontractors as required. All sleeve and chase locations are not noted on plan. All sleeves shall be Sch 40 FVC, sized twice the diameter of pipe or combination of pipes enclosed within the sleeve.
8. No cutting, filling, trenching, root disturbance, soil disturbance, or construction impacts shall occur closer to the trunk than 1/2 the root protection zone radius in accordance with City of San Antonio UDC 35-523(1X1) unless done by hand. Trenching is to be done by hand or by tunneling under root system by method approved by Landscape Architect. Piping layout is diagrammatic and piping shall be routed around existing plant material to avoid damage to existing plants. Do not cut any root over 3/4" diameter. Any cuts made shall be clean and without frayed ends.
9. All work will be in accordance with the requirements of the City of San Antonio Unified Development Code 35-510(j) and 35-511(2)(6) and the Texas Administrative Code Chapter 344, 344.12-344.17.
10. If actual site static pressure exceeds design pressure by 10%, a pressure reducing valve shall be installed. See specifications.
 11. Pressure at any point within a zone shall not vary by more than 10% from the design sprinkler operating pressure. See specifications for Testing.
 12. All irrigation work shall be installed under the supervision of a licensed (in the State of Texas) irrigation contractor.
 13. Obtain coverage test approval from Landscape Architect or Owner's Representative prior to planting, sodding or seeding.
 14. All undesignated end lateral piping shall be 1/2".
15. Irrigation Contractor is to provide 15-emitters and associated fittings and piping for use on irrigation zone(s) as directed in the field by Landscape Architect.
16. Refer to civil dwgs. for grading plan.
17. Statement of Area Coverage: Drawing does not provide for 100% coverage of the site. See plans and specifications for areas to be irrigated.
18. Irrigation system is a reuse water system. Install purple pipe, heads, valve box covers and signage per specifications.

- 19. New 1" irrigation submeter to be supplied by existing reuse water line. See dtl. 3/L2.1
- 20. 1-1/2" Master control valve. See dtl. 7/L2.1
- 21. Locate controller in Mechanical Room. Contractor is responsible for coordinating with other trades as required to provide power. See dtl. 4/L2.1.
- 22. Locate weather sensors at outside of Mechanical Room. See dtl. 5/6/L2.1.
- 23. Point of connection
- 24. Pressure reducing valve, see dtl. 10/L2.1
- 25. Reduced pressure backflow preventer, see dtl. 1/L2.1
- 26. Contractor is responsible for providing all components necessary to ensure the irrigation system functions properly. This includes, but is not limited to, supply line, sleeves, valves, quick couplers, laterals, drip tubing and emitters in existing planting areas.
- 27. Contractor shall verify with Landscape Architect location of supply line in parking lot prior to trenching or installation.

C•F•Z Group LLC
Collins • Fernandez • Zavala
Landscape Architecture
& Planning
7410 John Smith Dr., Suite 208
San Antonio, Texas 78229
210-366-1911/210-366-0044 fax

No.	Revision	Drawn	Approved	Date
2	ADDENDUM 3	SDT	ABFJR	2/11/16
1	ADDENDUM 2	SDT	ABFJR	2/09/16

REVISIONS

CHILLED WATER PLANT IMPROVEMENTS PHASE II - ADDENDUM #3 IRRIGATION PLAN

DEVELOPER: _____
CONT. [BUDGET PROJ.]

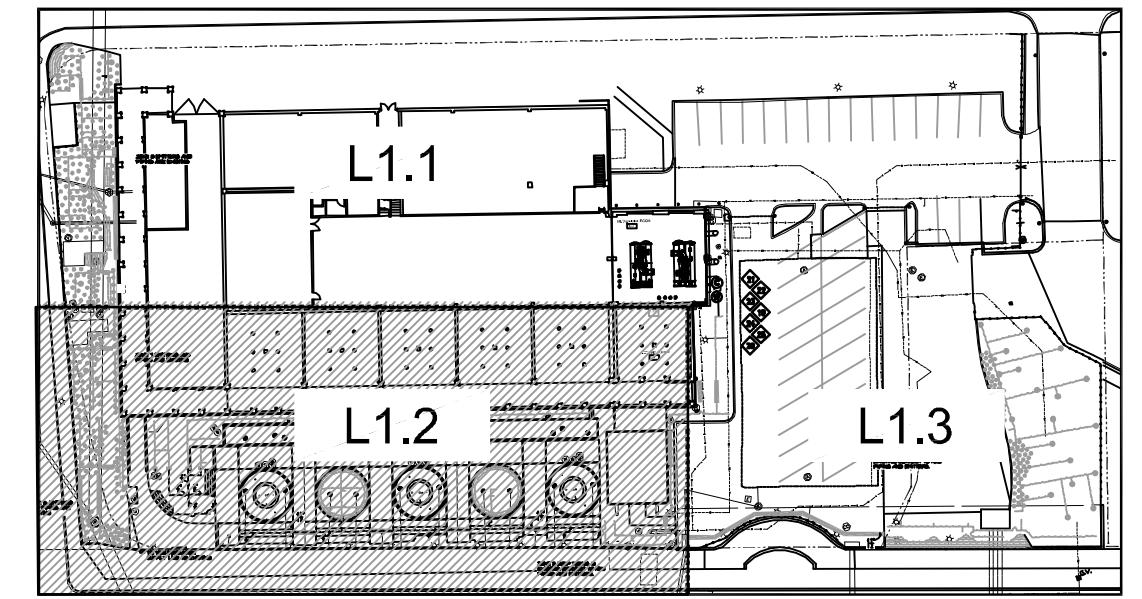
SUBMITTED _____
APPROVED _____

MAP No. _____ SHEET **L11**
SECT. No. _____ OF 14

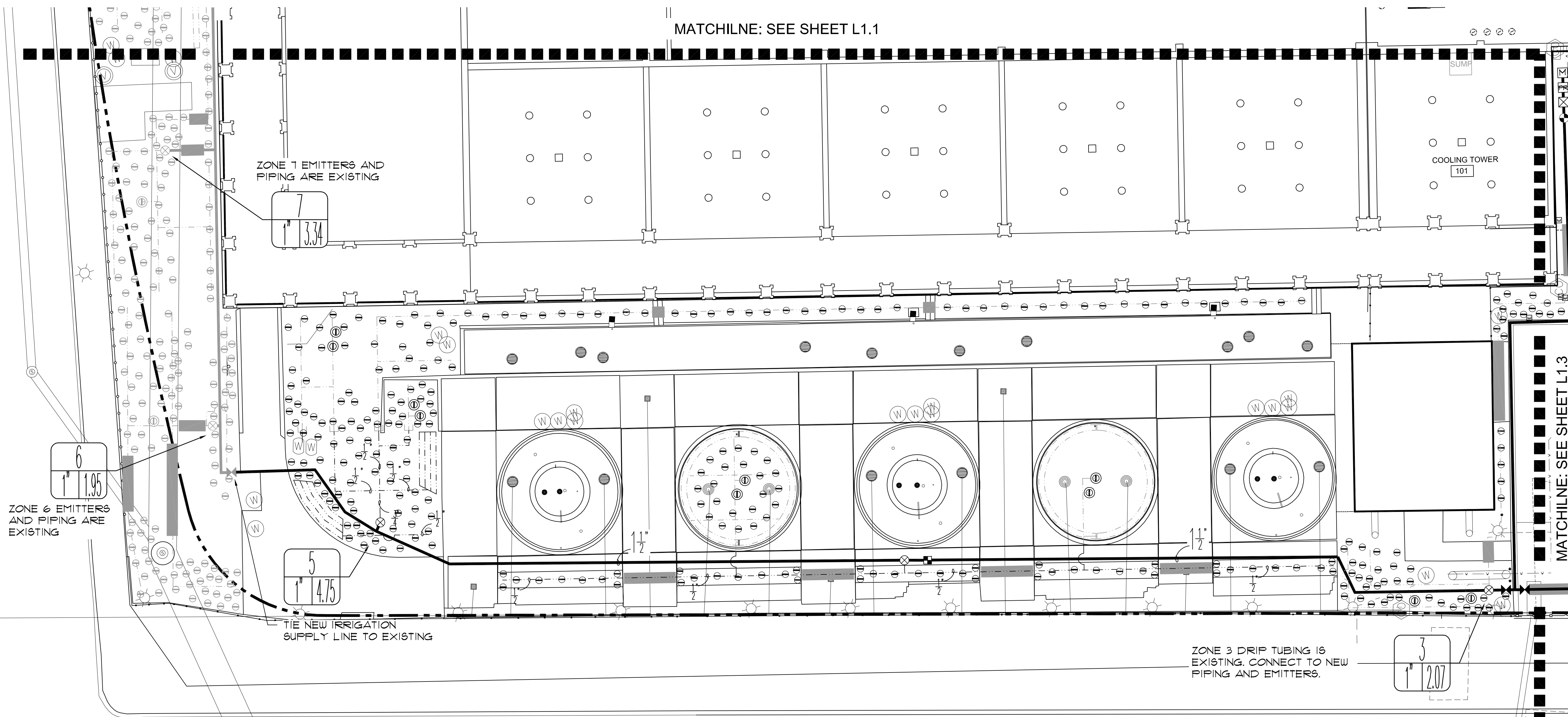
01/21/2016 DR. SDT CK. ABF JOB No. 15-958



MATCHLINE: SEE SHEET L1.1



KEY MAP
(NOT TO SCALE)



1 ENLARGED IRRIGATION PLAN
1"=10'-0"

LEGEND

- ⊙ TREE DRIP BUBBLER ASSEMBLY, SEE DTL. 9/L2.2
- ⊖ DRIP EMITTER, SEE DTL. 3/L2.2
- ⊗ DRIP REMOTE CONTROL VALVE, SEE DTL. 2/L2.2
- ⊕ MASTER CONTROL VALVE, SEE DTL. 7/L2.1
- ⊗ MANUAL VALVE, SEE DTL. 2/L2.1
- ⊕ QUICK COUPLER, SEE DTL. 8/L2.1
- LATERAL PIPING, SEE DTL. 9/L2.1
- DRIP LINE, SEE DTL. 9/L2.1
- SUPPLY LINE, SEE DTL. 9/L2.1
- IRRIGATION SLEEVE, SEE DTL. 10/L2.2
- BED EDGER, SEE SHEET L5.1
- 17 VALVE DESIGNATION
- 147/28.6 GALLONS PER MINUTE
- VALVE SIZE
- ⊙ EXISTING TREE DRIP BUBBLER ASSEMBLY
- ⊖ EXISTING DRIP EMITTER
- ⊗ EXISTING DRIP REMOTE CONTROL VALVE
- ⊕ EXISTING MASTER CONTROL VALVE
- ⊗ EXISTING MANUAL VALVE
- ⊕ EXISTING QUICK COUPLER
- EXISTING LATERAL PIPING
- EXISTING DRIP LINE
- EXISTING SUPPLY LINE

IRRIGATION NOTES (⊖ - Keyed Note)

1. Irrigation contractor shall be responsible for making himself familiar with the specifications and all submittal requirements. It is the responsibility of the Irrigation contractor to notify the Landscape Architect for site inspections as specified in the specifications. Failure to notify the Landscape Architect does not relieve the contractor from inspection approval and will require the contractor to uncover work as required for approval at the cost of the contractor. Irrigation contractor is to inform Landscape Architect of the start date of work.
2. The Irrigation contractor is required by law to notify Texas One Call (800-245-4545) and (800) DIG TESS (800-344-8377) 72 hours prior to any excavation. Irrigation contractor shall be responsible for making himself familiar with all underground utilities, pipes and structures. Irrigation contractor shall take sole responsibility for any cost incurred due to damage of said utilities whether or not Texas One Call is notified.
3. Do not willfully proceed with construction as designed without verifying actual on-site water pressure from the source. Do not willfully proceed with construction as designed when it is obvious that unknown obstructions and/or grade differences exist that may not have been known during design. Such conditions shall be immediately brought to the attention of the Landscape Architect or Owner's Representative. The Irrigation contractor shall assume full responsibility for all necessary revisions due to failure to give such notification.
4. Irrigation contractor shall be responsible for any coordination with other contractors as required to accomplish irrigation installation.
5. Due to scale of drawings, it is not possible to indicate all offsets, fittings sleeves, etc., which may be required. Irrigation contractor shall carefully investigate the structural and finished conditions affecting all of his work and plan his work accordingly, furnishing such fittings, etc., as may be required to meet such conditions. Drawings are generally diagrammatic and indicative of the work to be installed. The work shall be installed in such a manner as to avoid conflicts between irrigation system, planting and architectural features. This design is diagrammatic. All piping, valves, etc., shown within paved areas is for design clarification only and shall be installed in planting areas and within property lines.
6. It is the Irrigation contractor's responsibility to coordinate piping with the landscape subcontractor to avoid conflict with planting beds. It will be the responsibility of the Irrigation subcontractor to move piping to allow proper placement of plant material.
7. Irrigation contractor shall be responsible for sleeves and chases wherever piping or conduit passes, under all paving, through walls, etc. All sleeve locations may not be shown on plan, coordinate with architectural and civil drawings, general contractor and other subcontractors as required. All sleeve and chase locations are not noted on plan. All sleeves shall be Sch 40 FVC, sized twice the diameter of pipe or combination of pipes enclosed within the sleeve.
8. No cutting, filling, trenching, root disturbance, soil disturbance, or construction impacts shall occur closer to the trunk than 1/2 the root protection zone radius in accordance with City of San Antonio UDC 35-523(1X1) unless done by hand. Trenching is to be done by hand or by tunneling under root system by method approved by Landscape Architect. Piping layout is diagrammatic and piping shall be routed around existing plant material to avoid damage to existing plants. Do not cut any root over 3/4" diameter. Any cuts made shall be clean and without frayed ends.
9. All work will be in accordance with the requirements of the City of San Antonio Unified Development Code 35-510(j) and 35-511(x)(6) and the Texas Administrative Code Chapter 344, 344.12-344.17.
10. If actual site static pressure exceeds design pressure by 10%, a pressure reducing valve shall be installed. See specifications.
 11. Pressure at any point within a zone shall not vary by more than 10% from the design sprinkler operating pressure. See specifications for Testing.
 12. All irrigation work shall be installed under the supervision of a licensed (in the State of Texas) Irrigation contractor.
 13. Obtain coverage test approval from Landscape Architect or Owner's Representative prior to planting, sodding or seeding.
 14. All undesignated end lateral piping shall be 1/2".
15. Irrigation Contractor is to provide 15-emitters and associated fittings and piping for use on irrigation zone(s) as directed in the field by Landscape Architect.
16. Refer to civil dwgs. for grading plan.
17. Statement of Area Coverage: Drawing does not provide for 100% coverage of the site. See plans and specifications for areas to be irrigated.
18. Irrigation system is a reuse water system. Install purple pipe, heads, valve box covers and signage per specifications.
19. New 1" irrigation submeter to be supplied by existing reuse water line. See dtl. 3/L2.1
20. 1-1/2" Master control valve. See dtl. 7/L2.1.
21. Locate controller in Mechanical Room. Contractor is responsible for coordinating with other trades as required to provide power. See dtl. 4/L2.1.
22. Locate weather sensors at outside of Mechanical Room. See dtl. 5/6/L2.1.
23. Point of connection
24. Pressure reducing valve, see dtl. 10/L2.1
25. Reduced pressure backflow preventer, see dtl. 1/L2.1
26. Contractor is responsible for providing all components necessary to ensure the irrigation system functions properly. This includes, but is not limited to, supply line, sleeves, valves, quick couplers, laterals, drip tubing and emitters in existing planting areas.
27. Contractor shall verify with Landscape Architect location of supply line in parking lot prior to trenching or installation.

C•F•Z Group LLC
Collins • Fernandez • Zavala
Landscape Architecture
& Planning
7410 John Smith Dr., Suite 208
San Antonio, Texas 78229
210-366-1911/210-366-0044 fax

No.	Revision	Drawn	Approved	Date
2	ADDENDUM 3	SDT	ABFJR	2/11/16
1	ADDENDUM 2	SDT	ABFJR	2/09/16

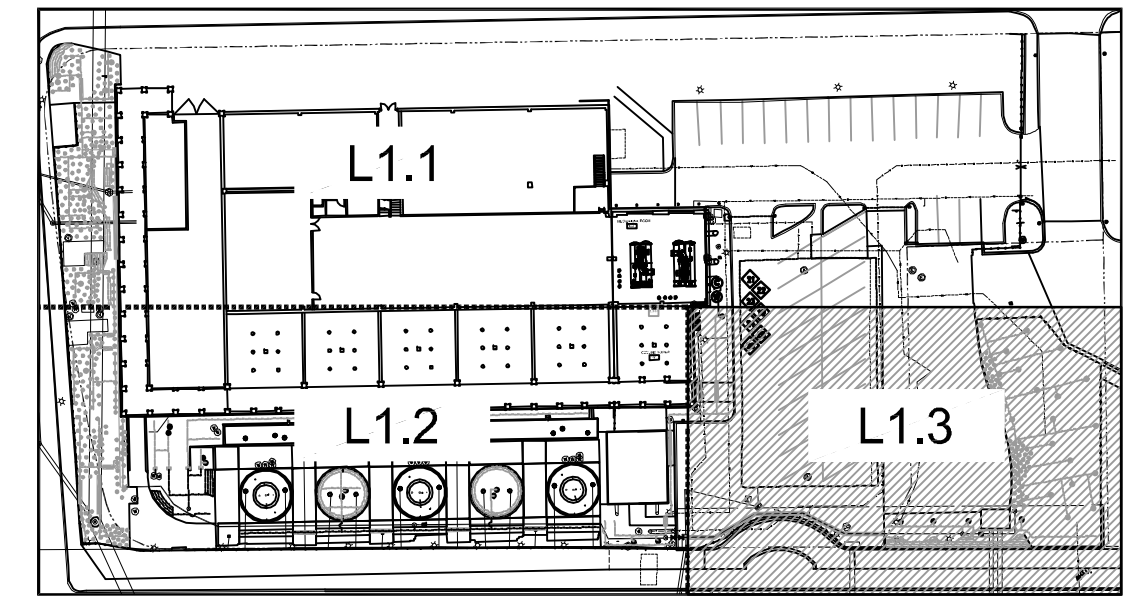
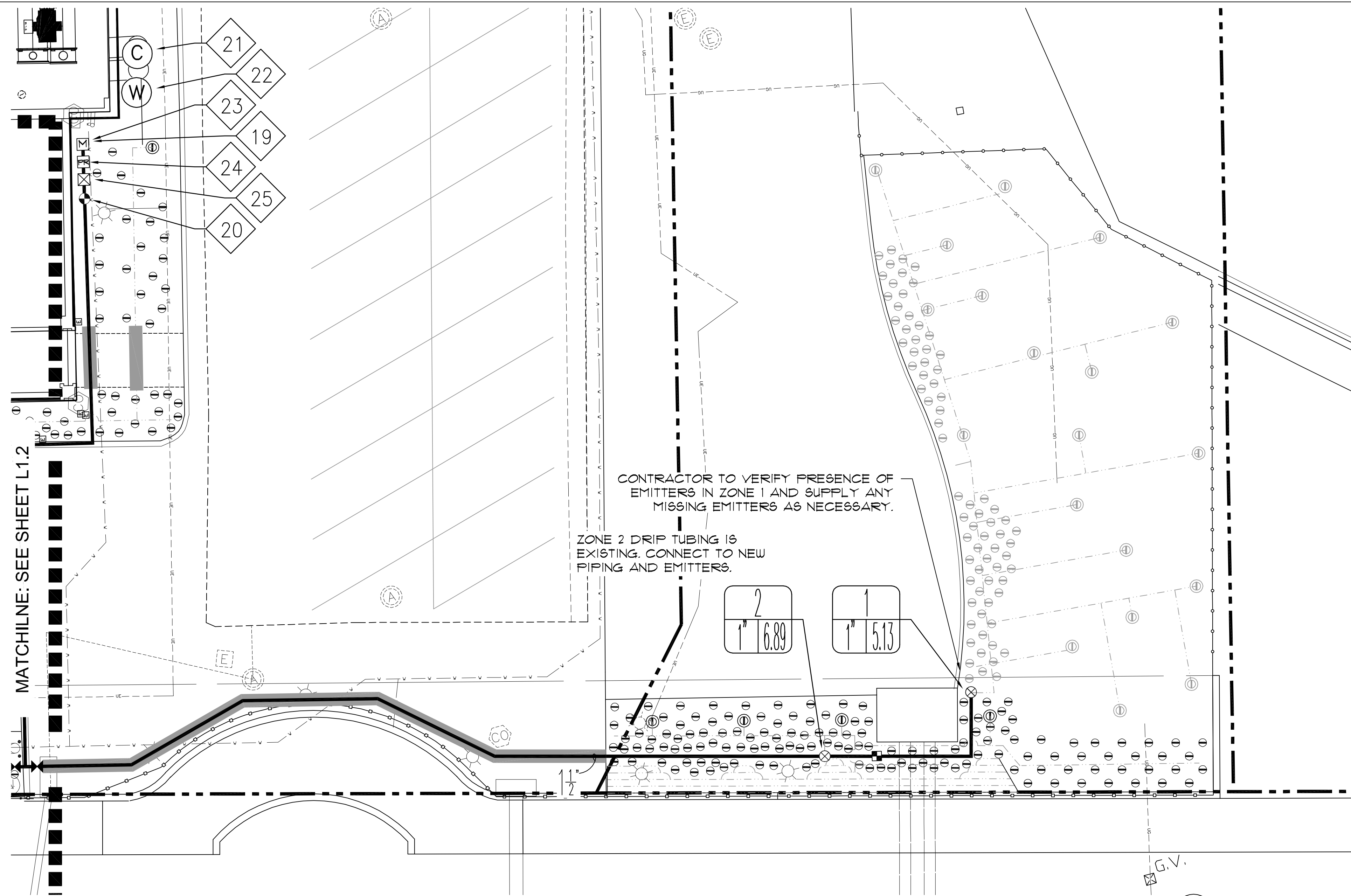
REVISIONS

DEVELOPER: [Signature]
CONT. [Signature] BUDGET PROJ.

SUBMITTED _____
APPROVED _____

MAP No. _____ SHEET L12
SECT. No. _____ OF 14

01/21/2016 DR. SDT CK. ABF JOB No. 15-958



1 ENLARGED IRRIGATION PLAN
1"=10'-0"

LEGEND

	TREE DRIP BUBBLER ASSEMBLY, SEE DTL. 9/L2.2
	DRIP EMITTER, SEE DTL. 3/L2.2
	DRIP REMOTE CONTROL VALVE, SEE DTL. 2/L2.2
	MASTER CONTROL VALVE, SEE DTL. 7/L2.1
	MANUAL VALVE, SEE DTL. 2/L2.1
	QUICK COUPLER, SEE DTL. 8/L2.1
	LATERAL PIPING, SEE DTL. 9/L2.1
	DRIP LINE, SEE DTL. 9/L2.1
	SUPPLY LINE, SEE DTL. 9/L2.1
	IRRIGATION SLEEVE, SEE DTL. 10/L2.2
	BED EDGER, SEE SHEET L5.1
	VALVE DESIGNATION
	GALLONS PER MINUTE
	VALVE SIZE
	EXISTING TREE DRIP BUBBLER ASSEMBLY
	EXISTING DRIP EMITTER
	EXISTING DRIP REMOTE CONTROL VALVE
	EXISTING MASTER CONTROL VALVE
	EXISTING MANUAL VALVE
	EXISTING QUICK COUPLER
	EXISTING LATERAL PIPING
	EXISTING DRIP LINE
	EXISTING SUPPLY LINE

IRRIGATION NOTES (Keyed Note)

- Irrigation contractor shall be responsible for making himself familiar with the specifications and all submittal requirements. It is the responsibility of the Irrigation contractor to notify the Landscape Architect for site inspections as specified in the specifications. Failure to notify the Landscape Architect does not relieve the contractor from inspection approval and will require the contractor to uncover work as required for approval at the cost of the contractor. Irrigation contractor is to inform Landscape Architect of the start date of work.
- The Irrigation contractor is required by law to notify Texas One Call (800-245-4545) and (800) DIG TESS (800-344-8377) 72 hours prior to any excavation. Irrigation contractor shall be responsible for making himself familiar with all underground utilities, pipes and structures. Irrigation contractor shall take sole responsibility for any cost incurred due to damage of said utilities whether or not Texas One Call is notified.
- Do not willfully proceed with construction as designed without verifying actual on-site water pressure from the source. Do not willfully proceed with construction as designed when it is obvious that unknown obstructions and/or grade differences exist that may not have been known during design. Such conditions shall be immediately brought to the attention of the Landscape Architect or Owner's Representative. The Irrigation contractor shall assume full responsibility for all necessary revisions due to failure to give such notification.
- Irrigation contractor shall be responsible for any coordination with other contractors as required to accomplish irrigation installation.
- Due to scale of drawings, it is not possible to indicate all offsets, fittings sleeves, etc., which may be required. Irrigation contractor shall carefully investigate the structural and finished conditions affecting all of his work and plan his work accordingly, furnishing such fittings, etc., as may be required to meet such conditions. Drawings are generally diagrammatic and indicative of the work to be installed. The work shall be installed in such a manner as to avoid conflicts between irrigation system, planting and architectural features. This design is diagrammatic. All piping, valves, etc., shown within paved areas is for design clarification only and shall be installed in planting areas and within property lines.
- It is the Irrigation contractor's responsibility to coordinate piping with the landscape subcontractor to avoid conflict with planting beds. It will be the responsibility of the Irrigation subcontractor to move piping to allow proper placement of plant material.
- Irrigation contractor shall be responsible for sleeves and chases wherever piping or conduit passes, under all paving, through walls, etc. All sleeve locations may not be shown on plan, coordinate with architectural and civil drawings, general contractor and other subcontractors as required. All sleeve and chase locations are not noted on plan. All sleeves shall be Sch 40 FVC, sized twice the diameter of pipe or combination of pipes enclosed within the sleeve.
- No cutting, filling, trenching, root disturbance, soil disturbance, or construction impacts shall occur closer to the trunk than 1/2 the root protection zone radius in accordance with City of San Antonio UDC 35-523(1X1) unless done by hand. Trenching is to be done by hand or by tunneling under root system by method approved by Landscape Architect. Piping layout is diagrammatic and piping shall be routed around existing plant material to avoid damage to existing plants. Do not cut any root over 3/4" diameter. Any cuts made shall be clean and without frayed ends.
- All work will be in accordance with the requirements of the City of San Antonio Unified Development Code 35-510(j) and 35-511(2)(6) and the Texas Administrative Code Chapter 344, 344.12-344.17.
- If actual site static pressure exceeds design pressure by 10%, a pressure reducing valve shall be installed. See specifications.
- Pressure at any point within a zone shall not vary by more than 10% from the design sprinkler operating pressure. See specifications for Testing.
- All irrigation work shall be installed under the supervision of a licensed (in the State of Texas) Irrigation contractor.
- Obtain coverage test approval from Landscape Architect or Owner's Representative prior to planting, sodding or seeding.
- All undesignated end lateral piping shall be 1/2".
- Irrigation Contractor is to provide 15-emitters and associated fittings and piping for use on irrigation zone(s) as directed in the field by Landscape Architect.
- Refer to civil dwgs. for grading plan.
- Statement of Area Coverage: Drawing does not provide for 100% coverage of the site. See plans and specifications for areas to be irrigated.
- Irrigation system is a reuse water system. Install purple pipe, heads, valve box covers and signage per specifications.

- 19. New 1" Irrigation submeter to be supplied by existing reuse water line. See dtl. 3/L2.1
- 20. 1/2" Master control valve. See dtl. 7/L2.1
- 21. Locate controller in Mechanical Room. Contractor is responsible for coordinating with other trades as required to provide power. See dtl. 4/L2.1.
- 22. Locate weather sensors at outside of Mechanical Room. See dtl. 5/6/L2.1.
- 23. Point of connection
- 24. Pressure reducing valve, see dtl. 10/L2.1
- 25. Reduced pressure backflow preventer, see dtl. 1/L2.1
- 26. Contractor is responsible for providing all components necessary to ensure the irrigation system functions properly. This includes, but is not limited to, supply line, sleeves, valves, quick couplers, laterals, drip tubing and emitters in existing planting areas.
- 27. Contractor shall verify with Landscape Architect location of supply line in parking lot prior to trenching or installation.

C•F•Z Group LLC
Collins • Fernandez • Zavala
Landscape Architecture
& Planning
7410 John Smith Dr., Suite 208
San Antonio, Texas 78229
210-366-1911/210-366-0044 fax

REVISIONS				
No.	Revision	Drawn	Approved	Date
2	ADDENDUM 3	SDT	ABFJR	2/11/16
1	ADDENDUM 2	SDT	ABFJR	2/09/16

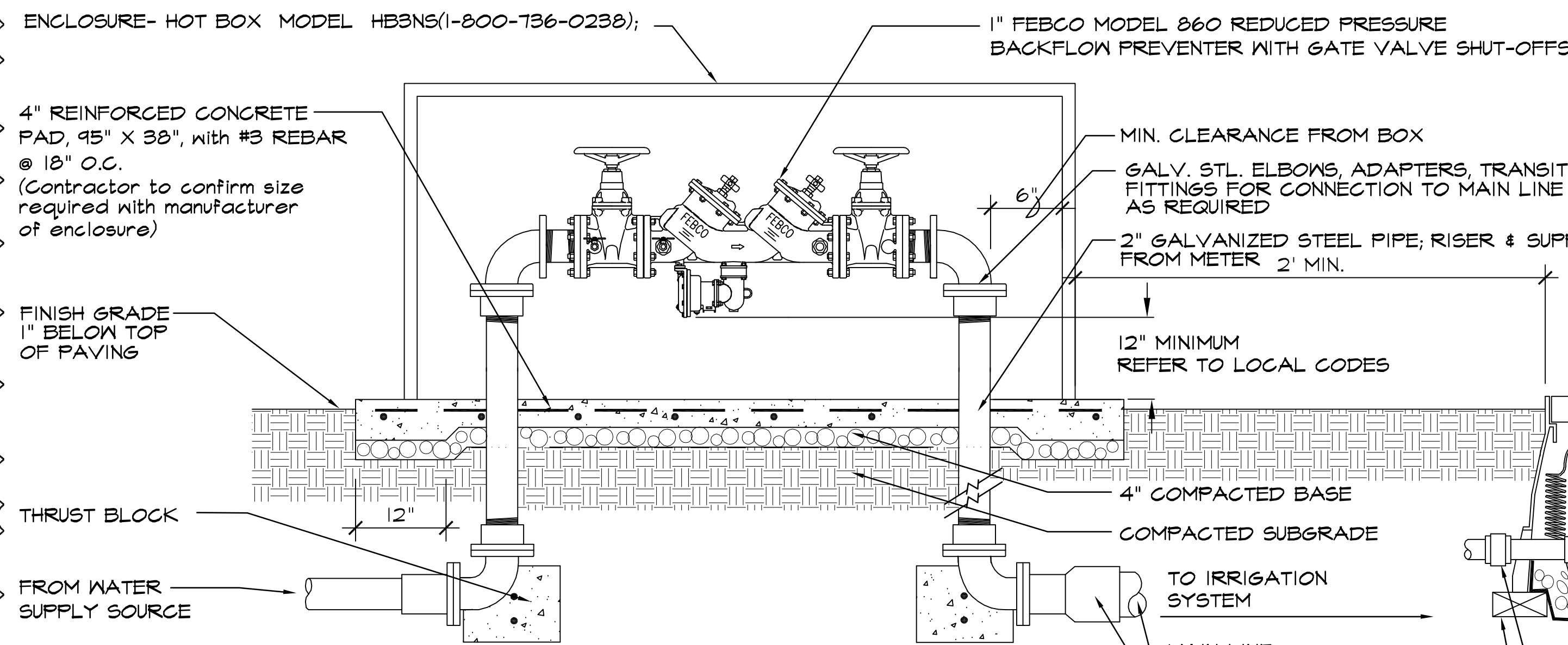
CHILLED WATER PLANT IMPROVEMENTS PHASE II - ADDENDUM #3 IRRIGATION PLAN

DEVELOPER: _____
CONT. [BUDGET PROJ.]
SUBMITTED _____
APPROVED _____
MAP No. _____
SECT. No. _____

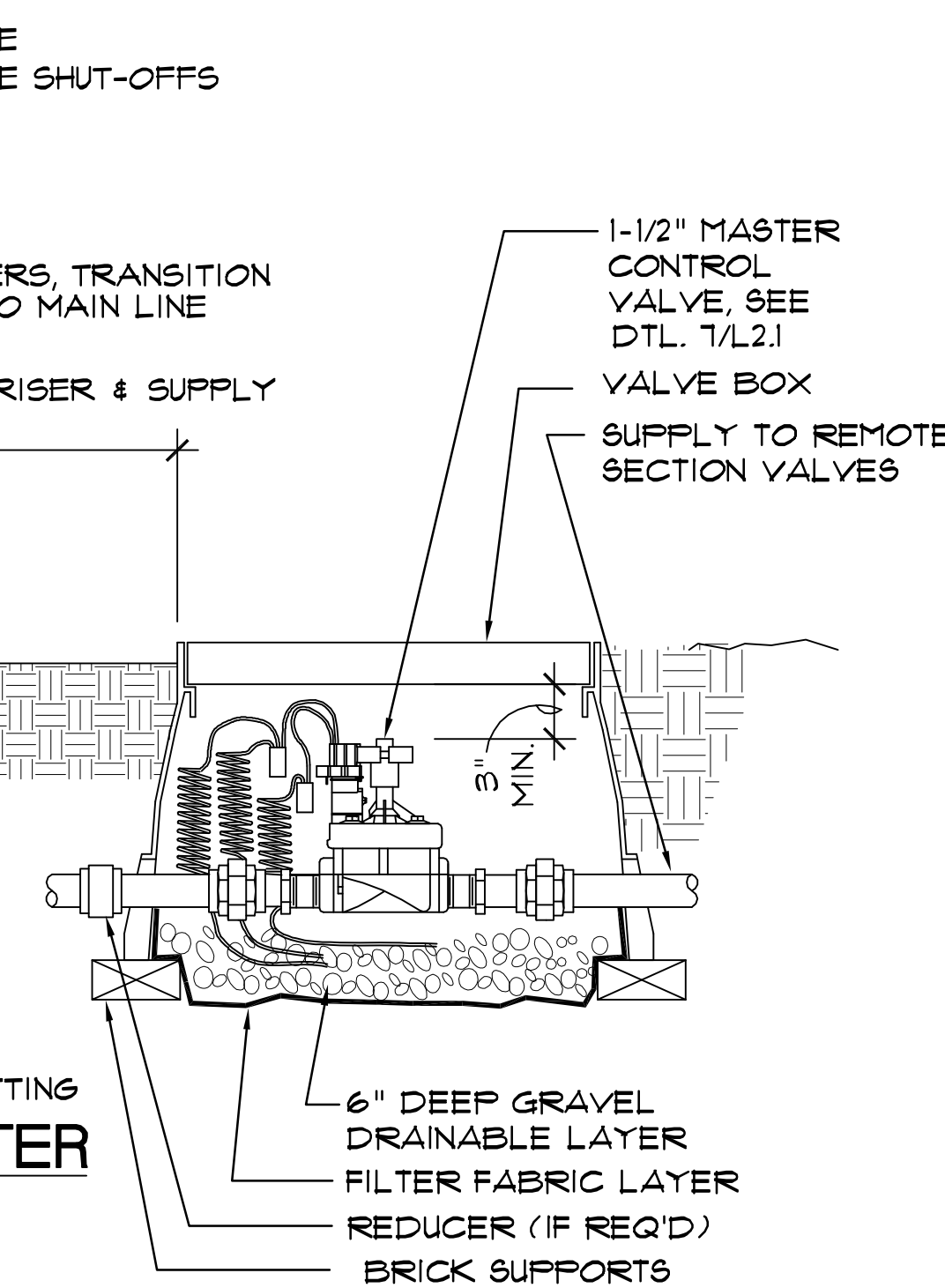
01/21/2016 DR. SDT [CK. ABF] JOB No. 15-958

SHEET **L13** OF 14

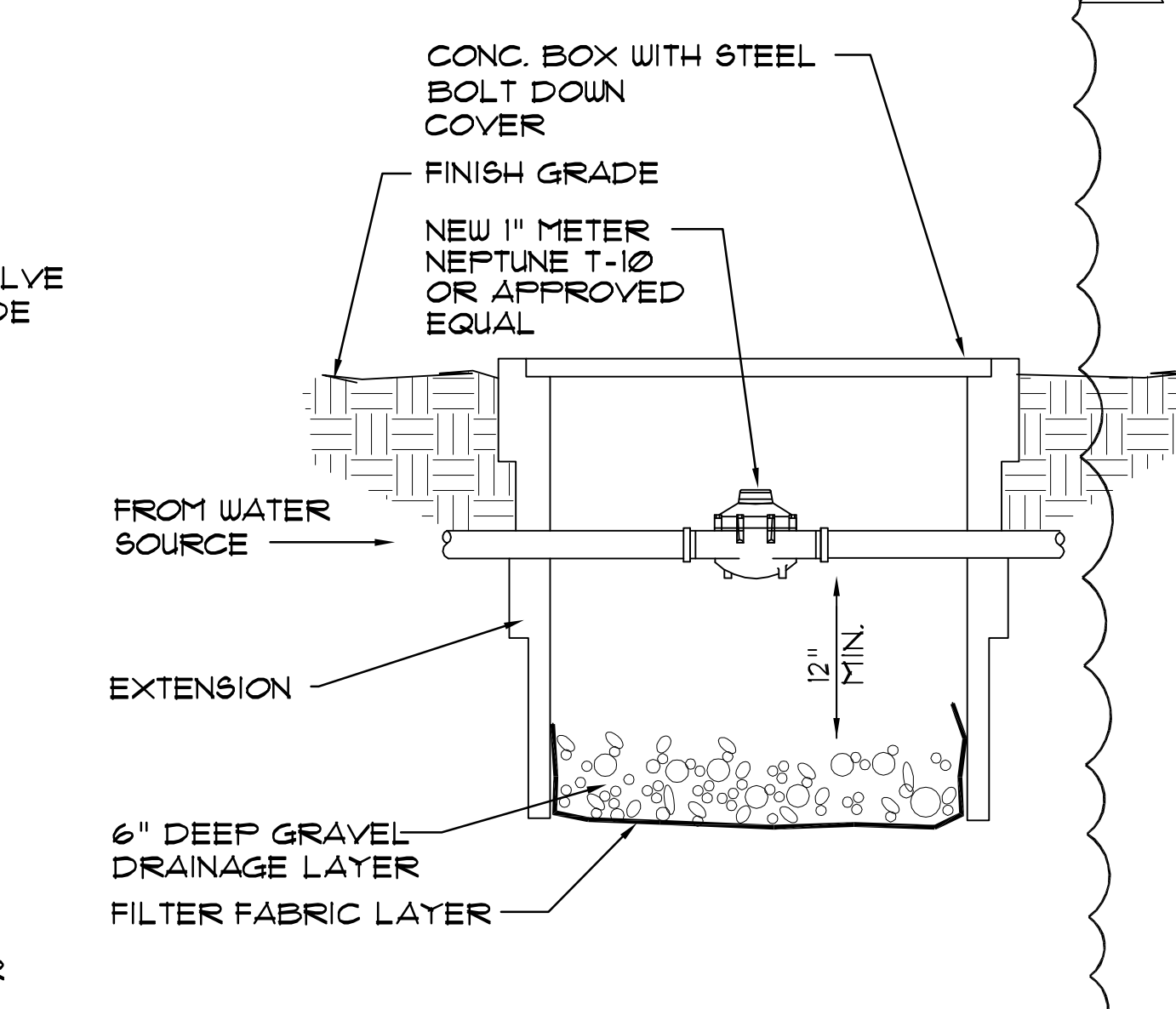




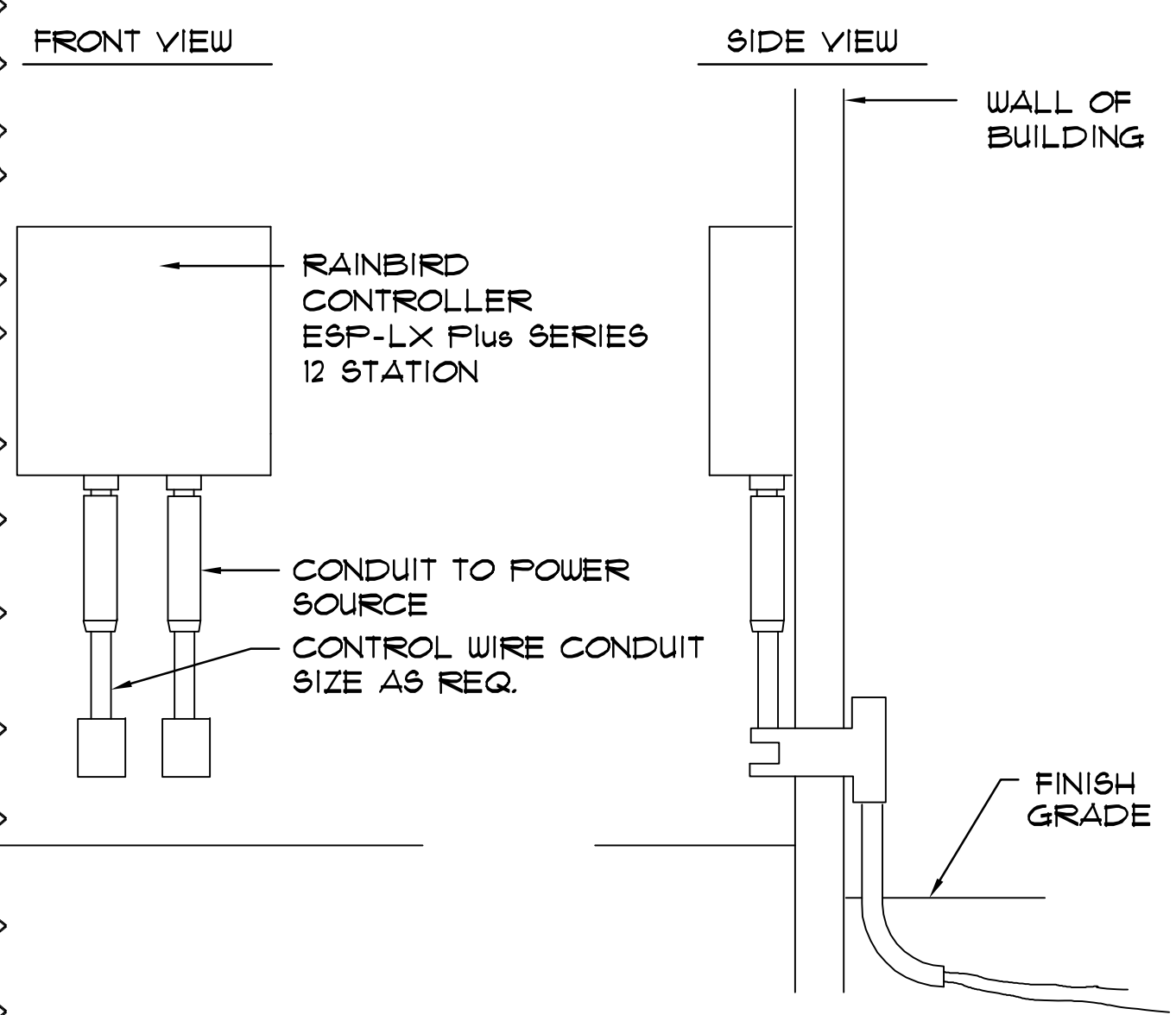
1 REDUCED PRESSURE BACKFLOW PREVENTER AT NON-POTABLE WATER METER
NTS



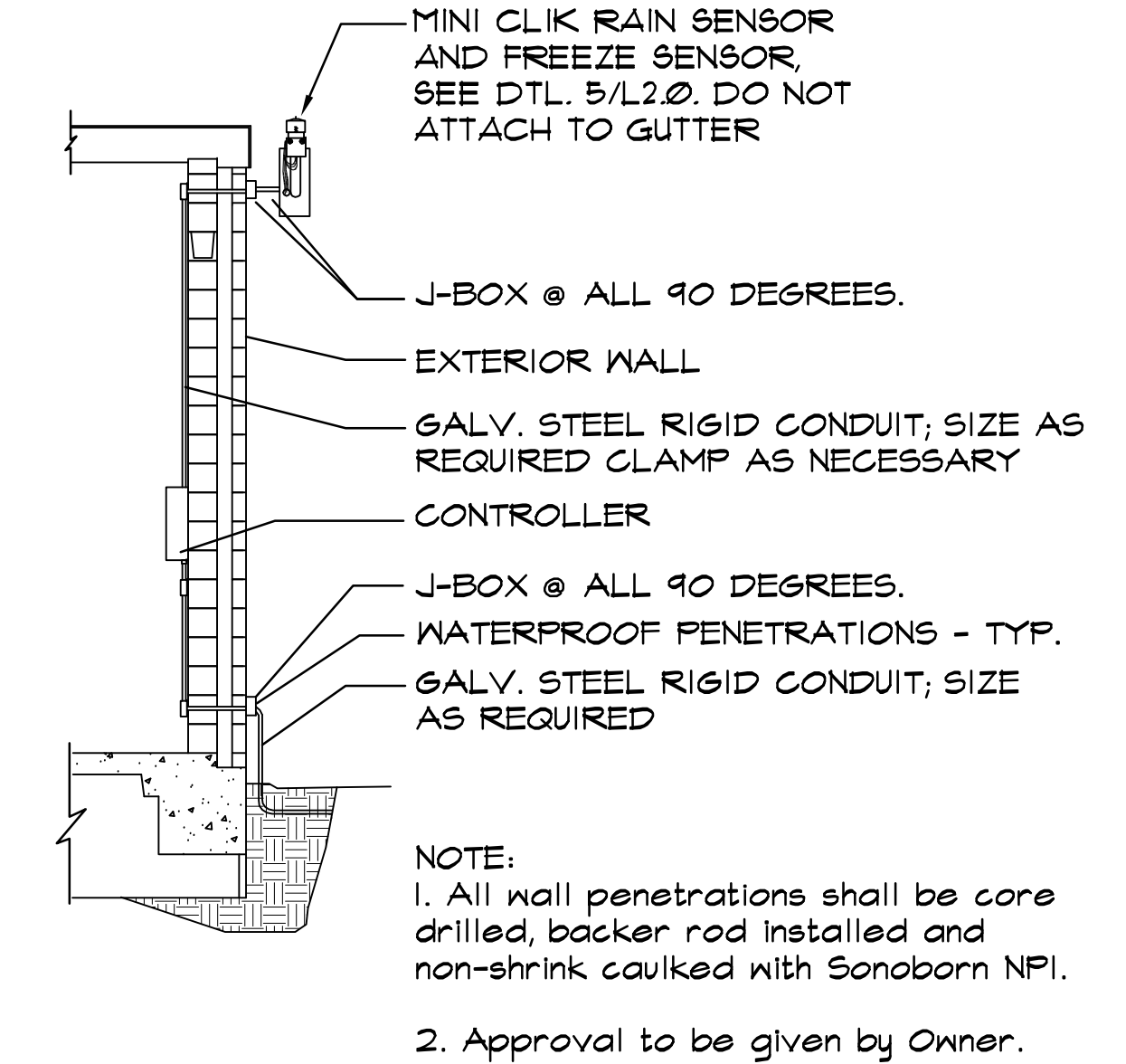
2 GATE VALVE
NTS



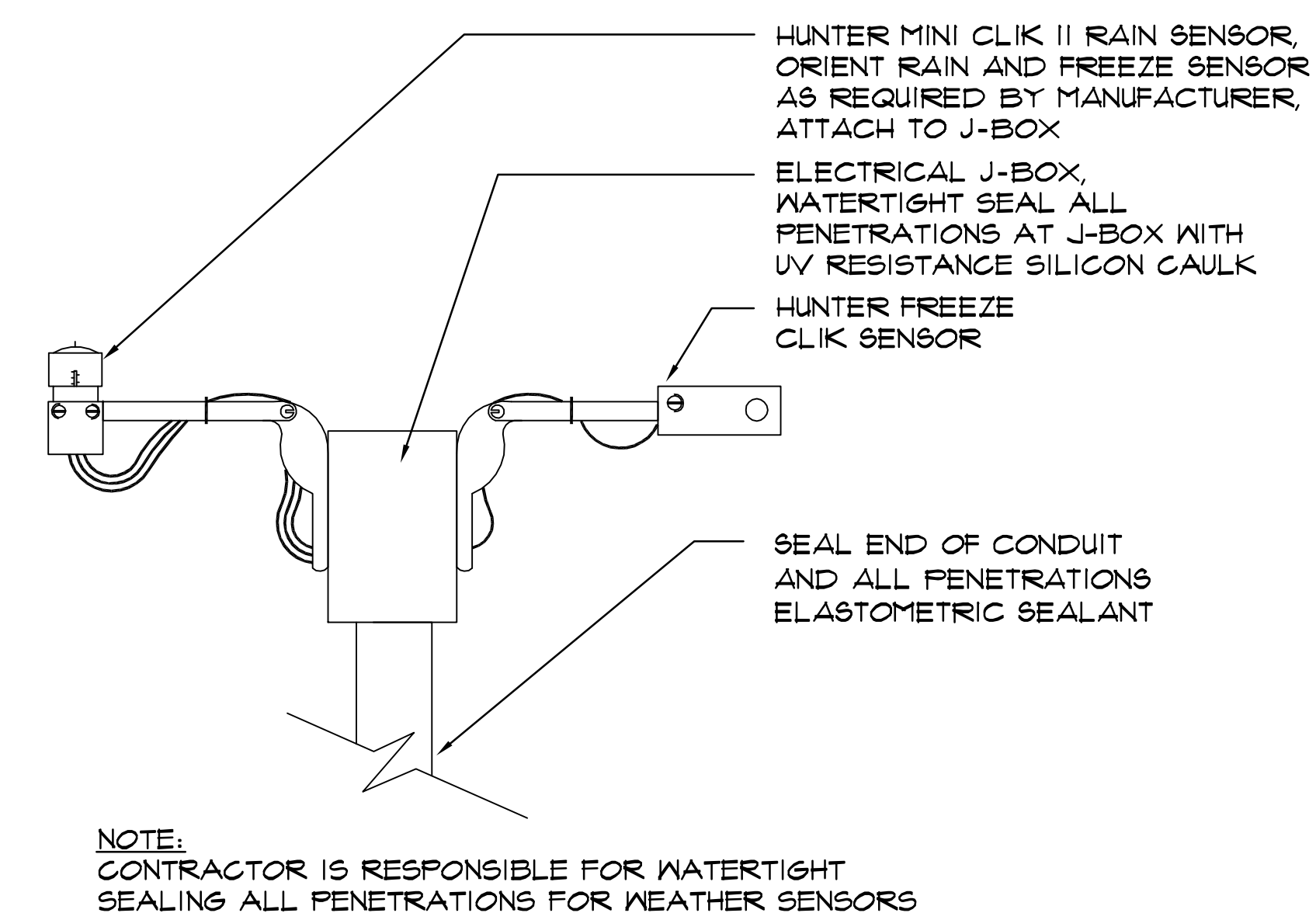
3 IRRIGATION SUB-METER
NTS



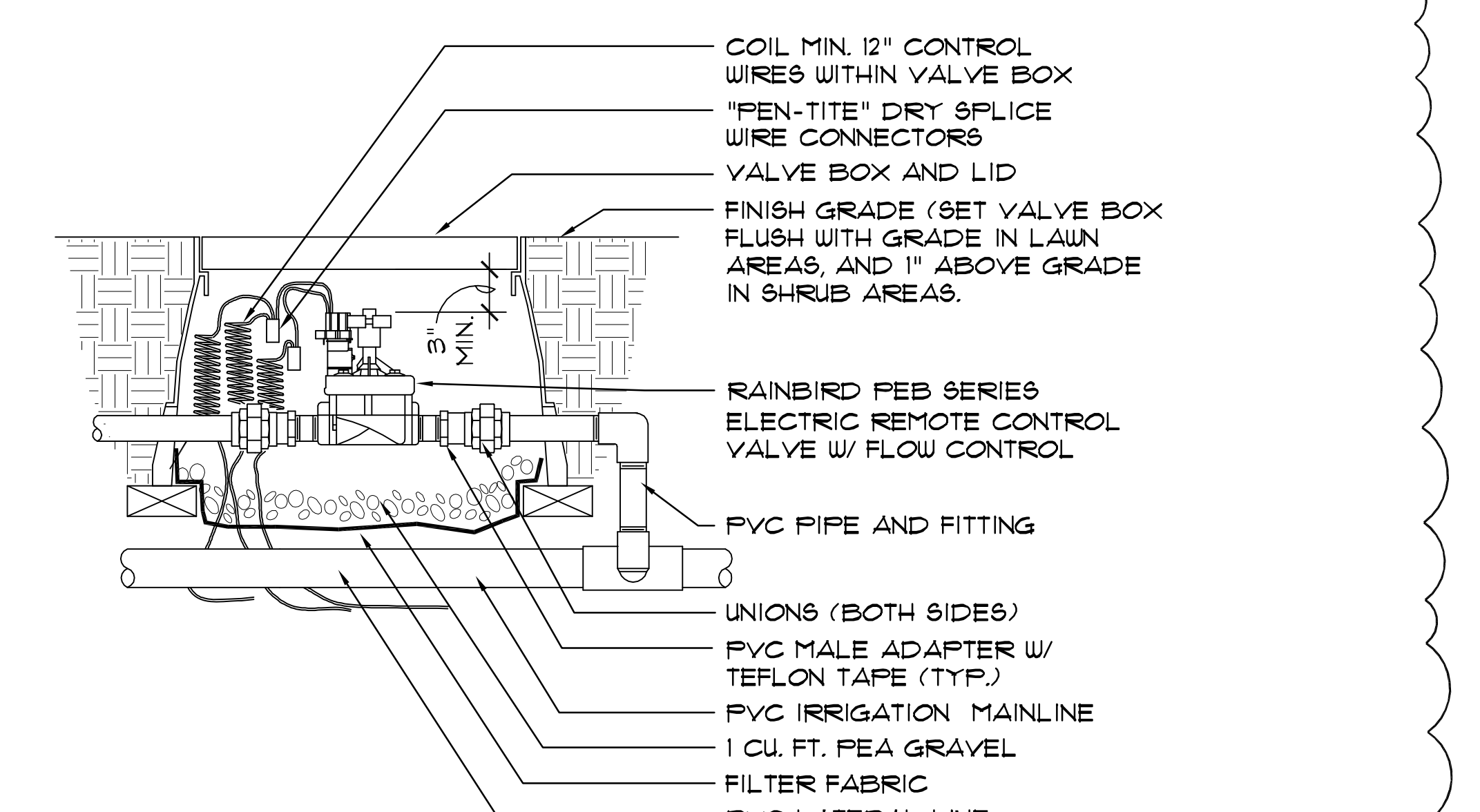
4 AUTOMATIC CONTROLLER
NTS



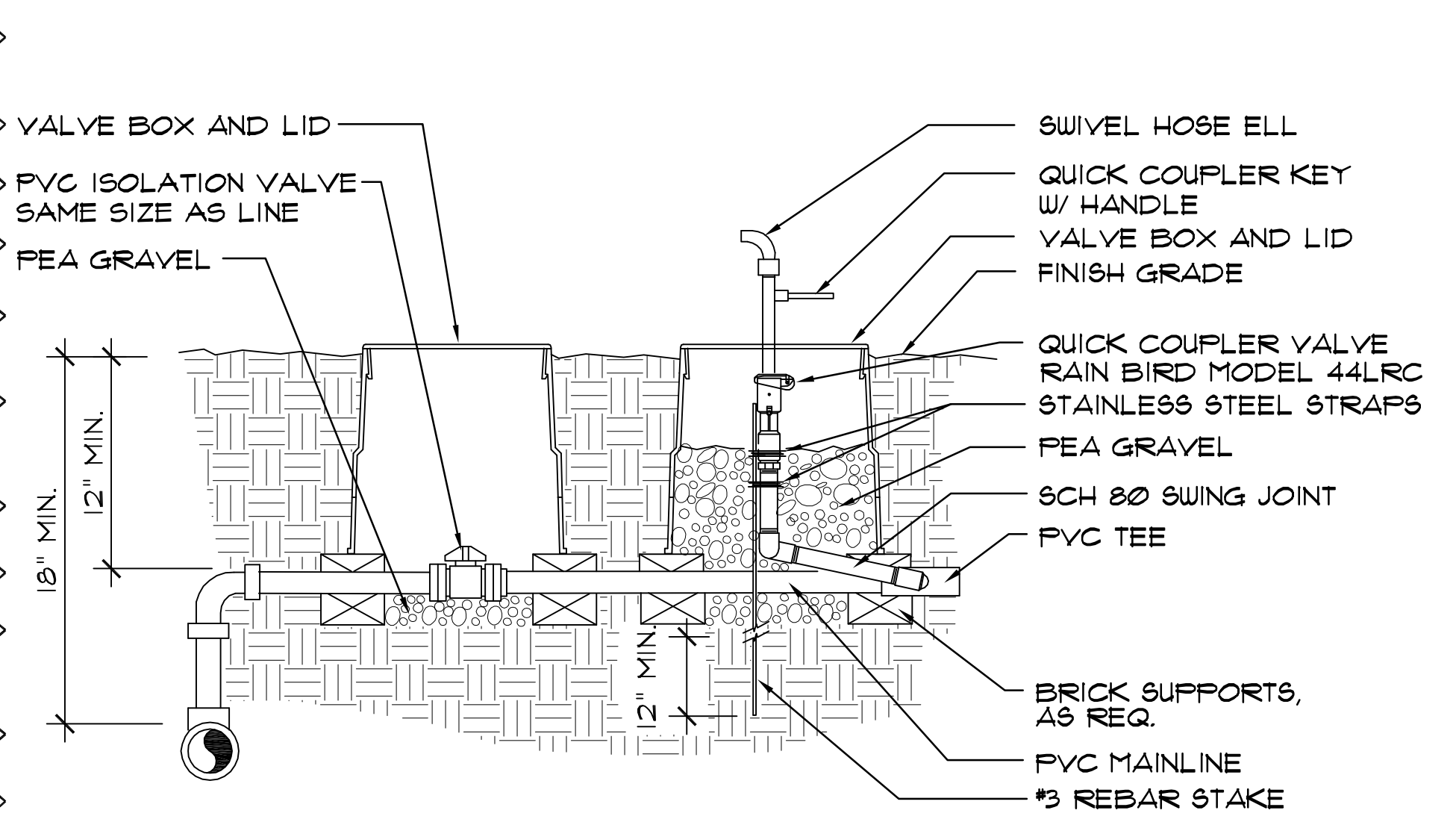
5 WEATHER SENSORS
NTS



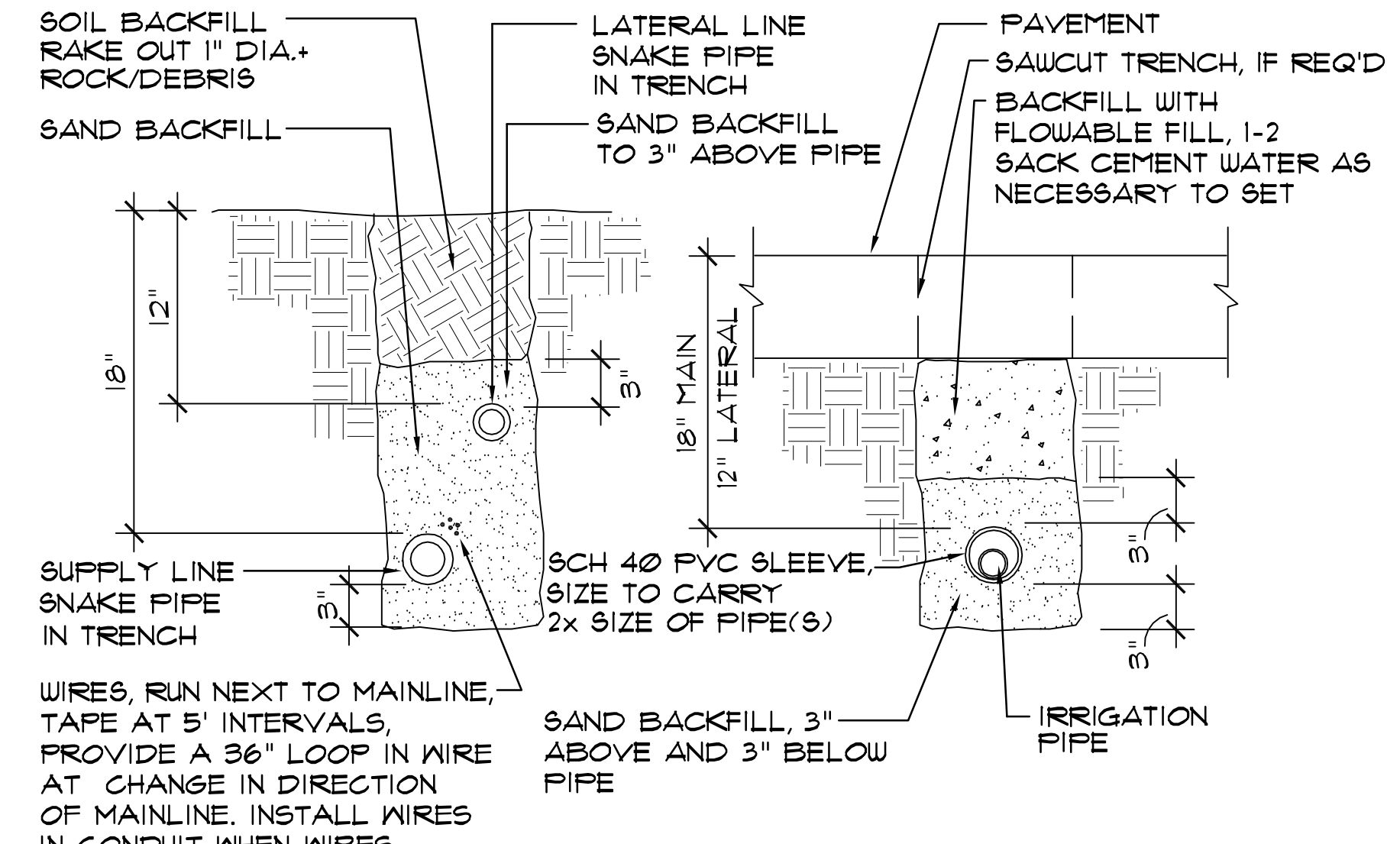
6 WEATHER SENSORS DETAIL
NTS



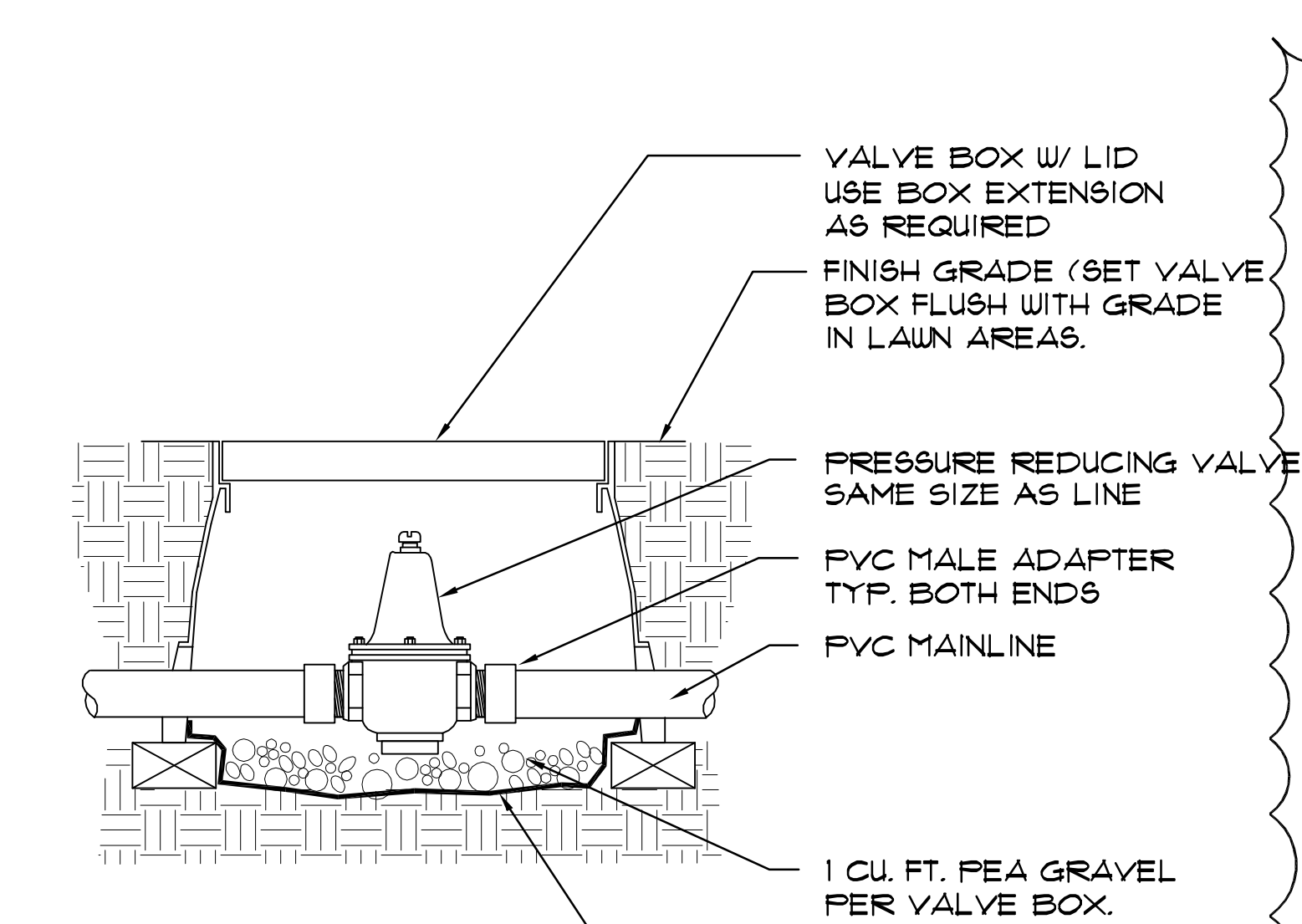
7 ELECTRIC REMOTE CONTROL VALVE
NTS



8 QUICK COUPLER
NTS



9 TYP. TRENCH DETAILS
NTS



10 PRESSURE REGULATOR VALVE
NTS

C•F•Z Group LLC
Collins • Fernandez • Zavala
Landscape Architecture
& Planning
7410 John Smith Dr., Suite 208
San Antonio, Texas 78229
210-366-1911/210-366-0044 fax

No.	Revision	Drawn	Approved	Date
2	ADDENDUM 3	SDT	ABFJR	2/11/16
1	ADDENDUM 2	SDT	ABFJR	2/09/16

REVISIONS
CHILLED WATER PLANT IMPROVEMENTS PHASE II - ADDENDUM #3 IRRIGATION DETAILS

DEVELOPER: [Signature]
CONT. [Signature] BUDGET PROJ.
SUBMITTED [Signature]
APPROVED [Signature]
MAP No. [Signature]
SECT. No. [Signature]
SHEET L21 OF 14
01/21/2016 DR. SDT CK. ABF JOB No. 15-958